

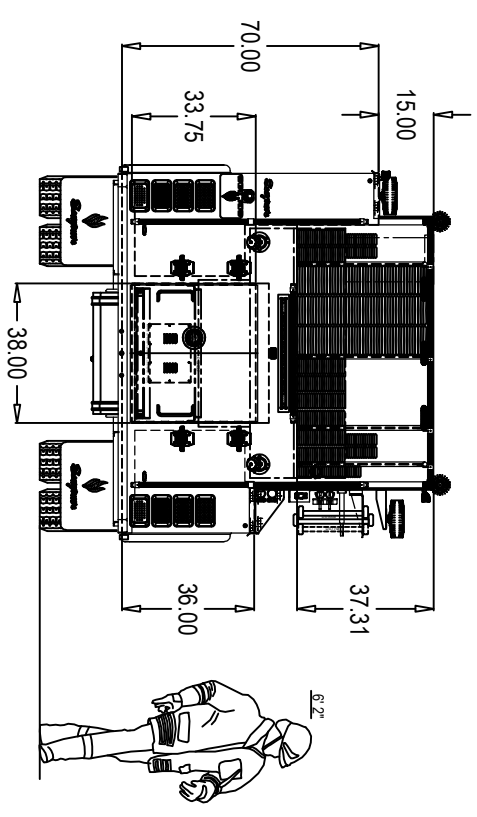
**FWD**  
 FWD SEAGRAVE HOLDINGS, LP / 105 EAST 12TH STREET  
 CLINTONVILLE, WI 54929

*Seagrave*

HOLBROOK FIRE DISTRICT

PREPARED BY: DMP	DATE: 08-29-2022	MODEL: TB50CA
CAB: MARAUDER 141 10RR	FRONT AXLE: MFS / 22.8K / DISC	
ENGINE: CUMMINS 19 450 HP	REAR AXLE: RS-25-160 / 27K / DISC	
PUMP: SEAGRAVE "TRITON" 1500 GPM	FRONT TIRES: GY / 425 / 65R22.5 / ARMOR MAX MSA	
BODY: #3CR12 S/S / MATRIX 146 (FLUSH)	REAR TIRES: GY / 12R22.5 / G622 RSD	
TANK: 750 WATER / L-T (UPF)	FOAM: -	

- HOSE LOAD:
- 200' OF 1.75" HOSE ATOP
  - 300' OF 2.5" HOSE
  - 1000' OF 5" HOSE
  - 600' OF 2.5" HOSE
  - 200' OF 1.75" HOSE ATOP
  - 300' OF 2.5" HOSE
  - 200' OF 1.75" HOSE
- GROUND LADDERS:
- DUO-SAFETY #900-A 24' 2 SECTION LADDER
  - DUO-SAFETY #775-A 14' ROOF LADDER
  - DUO-SAFETY #585-A 10' FOLDING LADDER
  - (2) ALUMINUM PIKE POLE TUBES
  - FIRE HOOKS #NH-10 10' PIKE POLE WOOD HANDLE
  - FIRE HOOKS #APH-6 6' PIKE POLES FIBERGLASS HANDLE



**PRELIMINARY DRAWING**

**F3428**

**JAMIE DE GROOT**

**09-07-2022**

ALL DIMENSIONS ARE MEASURED IN INCHES, UNLESS OTHERWISE NOTED.

THIS DRAWING IS FOR REFERENCE OF CONFIGURATION. MINOR DETAILS MAY NOT BE SHOWN. DIMENSIONS SHOWN ARE APPROXIMATE AND SUBJECT TO CHANGE. THE SALES ORDER AND APPROVED SALES ORDER CHANGES WILL PREVAIL, WHERE DISCREPANCIES EXIST.

THE INDICATED VEHICLE HEIGHT REPRESENTS A CALCULATED DIMENSION. ACTUAL SHIPPED HEIGHT MAY VARY. THE HOSE CAPACITY IS A CALCULATED AMOUNT. ACTUAL CAPACITY MAY VARY DEPENDING ON VENDOR OF THE HOSE.

INTERNAL SALES REPRESENTATIVE SIGNATURE OF APPROVAL

SIG. DATE

REV.	DATE	DESCRIPTION	REV. BY
-	09-06-2022	PER QW #110090-0004	DMP

FWD SEAGRAVE HOLDINGS, LP, ITS SUBSIDIARIES, SUCCESSORS AND/OR ASSIGNS (COLLECTIVELY, "FWD SEAGRAVE") OWNS PROPRIETARY RIGHTS IN AND TO THIS DRAWING AND INFORMATION CONTAINED THEREIN. THIS DRAWING IS CONFIDENTIAL AND SHOULD NOT BE USED OR REPRODUCED FOR ANY PURPOSE WITHOUT THE WRITTEN CONSENT OF FWD SEAGRAVE.